



## Features

- Stable, infinite resolution cermet element
- Vertical and horizontal adjust styles
- Optional packaging on embossed tape
- Compatible with surface mount manufacturing processes

- RoHS compliant\* - see [processing information](#) on lead free surface mount trimmers

# 3269 - 1/4 " Square SMD Trimming Potentiometer

## Electrical Characteristics

Standard Resistance Range .....10 ohms to 1 megohm  
 (see standard resistance table)  
 Resistance Tolerance .....±10 % std.  
 (closer tolerance available)  
 Absolute Minimum Resistance .....1 % or 2 ohms max.  
 (whichever is greater)  
 Contact Resistance Variation .....3.0 % or 3 ohms max.  
 (whichever is greater)  
 Adjustability  
 Voltage .....±0.02 %  
 Resistance .....±0.05 %  
 Resolution .....Infinite  
 Insulation Resistance .....500 vdc.  
 1,000 megohms min.

Dielectric Strength  
 Sea Level .....600 vac  
 80,000 Feet .....250 vac  
 Effective Travel .....12 turns nom.

## Environmental Characteristics

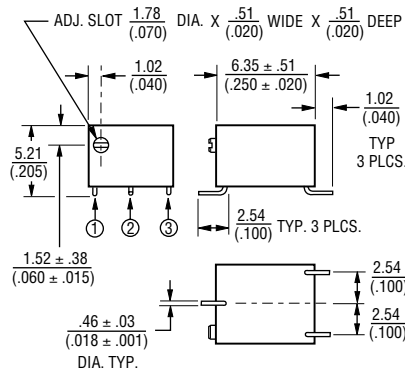
Power Rating (300 volts max.)  
 85 °C .....0.25 watt  
 150 °C .....0 watt  
 Temperature Range .....-65 °C to +150 °C  
 Temperature Coefficient .....±100 ppm/°C  
 Seal Test .....85 °C Fluorinert†  
 Humidity .....MIL-STD-202 Method 106  
 (2 % ΔTR; IR 100 Megohms)  
 Vibration .....30 G (1 % ΔTR; 1 % ΔVR)  
 Shock .....100 G (1 % ΔTR; 1 % ΔVR)  
 Load Life..1,000 hours 0.25 watt @ 85 °C  
 (3 % ΔTR; 3 % or 3 ohms  
 whichever is greater, CRV)  
 Rotational Life .....200 cycles  
 (2 % ΔTR; 3 % or 3 ohms,  
 whichever is greater, CRV)

## Physical Characteristics

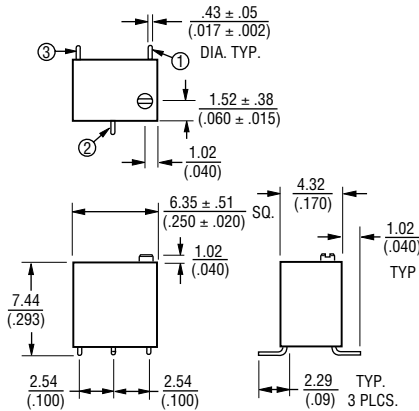
Torque .....3.0 oz-in. max.  
 Mechanical Stops .....Wiper idles  
 Terminals .....Solderable pins  
 Weight .....0.015 oz.  
 Marking .....Manufacturer's  
 trademark, resistance code,  
 wiring diagram, date code,  
 manufacturer's model  
 number and style  
 Standard Packaging .....50 pcs. per tube  
 Adjustment Tool .....H-90  
 Wiper .....50 % (Actual TR) ±10 %

### 3269P

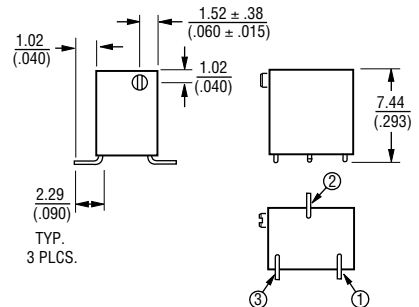
#### Common Dimensions



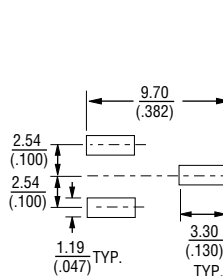
### 3269W



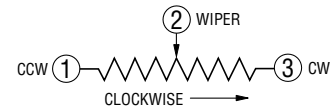
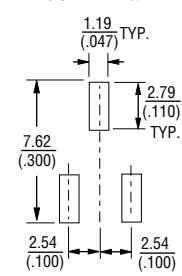
### 3269X



#### RECOMMENDED PCB LAYOUT - "P"



#### RECOMMENDED PCB LAYOUT - "W" & "X"



TOLERANCES: ± 0.25 (.010) EXCEPT WHERE NOTED

DIMENSIONS ARE:  $\frac{\text{MM}}{(\text{INCHES})}$

## How To Order

**3269 X - 1 - 103 G LF**

Model \_\_\_\_\_  
 Style \_\_\_\_\_  
 Standard or Modified Product Indicator \_\_\_\_\_

For P pin style:  
 -1 = Terminals #1 & #3 away from sprocket holes  
 -2 = Terminals #1 & #3 toward sprocket holes

For W & X pin styles:  
 -1 = Terminals #1 & #3 toward sprocket holes  
 -2 = Terminals #1 & #3 away from sprocket holes

For P, W & X pin styles:  
 -11 = ±5 % TR

Resistance Code \_\_\_\_\_

Embossed Tape Designator  
 G = Embossed Tape  
 "P" Style - 750 pcs./13" reel  
 "W, X" Style - 500 pcs./13" reel

Terminations \_\_\_\_\_  
 LF = 100 % Tin-plated (RoHS compliant)  
 Blank = 90 % Tin / 10 % Lead-plated (Standard)

## Standard Resistance Table

Resistance (Ohms)	Resistance Code
10	100
20	200
50	500
<b>100</b>	<b>101</b>
<b>200</b>	<b>201</b>
<b>500</b>	<b>501</b>
<b>1,000</b>	<b>102</b>
<b>2,000</b>	<b>202</b>
<b>5,000</b>	<b>502</b>
<b>10,000</b>	<b>103</b>
<b>20,000</b>	<b>203</b>
<b>25,000</b>	<b>253</b>
<b>50,000</b>	<b>503</b>
<b>100,000</b>	<b>104</b>
200,000	204
250,000	254
500,000	504
1,000,000	105

Popular distribution resistance values listed in boldface. Special resistances available.

\*RoHS Directive 2002/95/EC Jan 27 2003 including Annex.

†"Fluorinert" is a registered trademark of 3M Co.

Specifications are subject to change without notice.

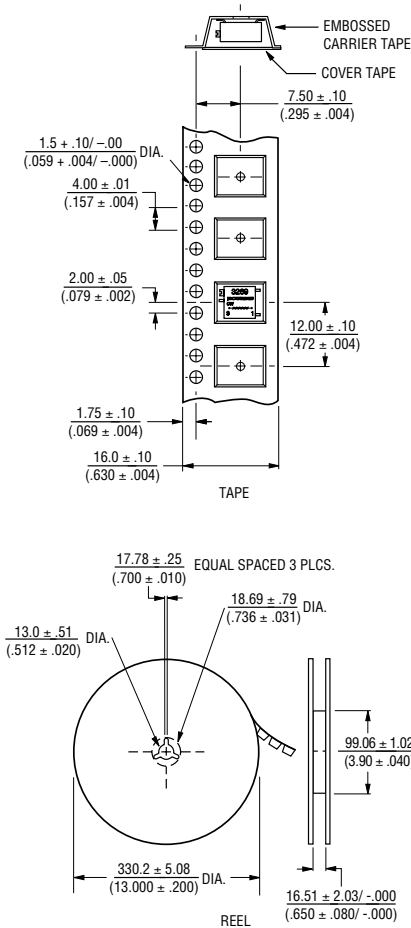
Customers should verify actual device performance in their specific applications.

# 3269 - Packaging Specifications

**BOURNS®**

## Packaging Specifications

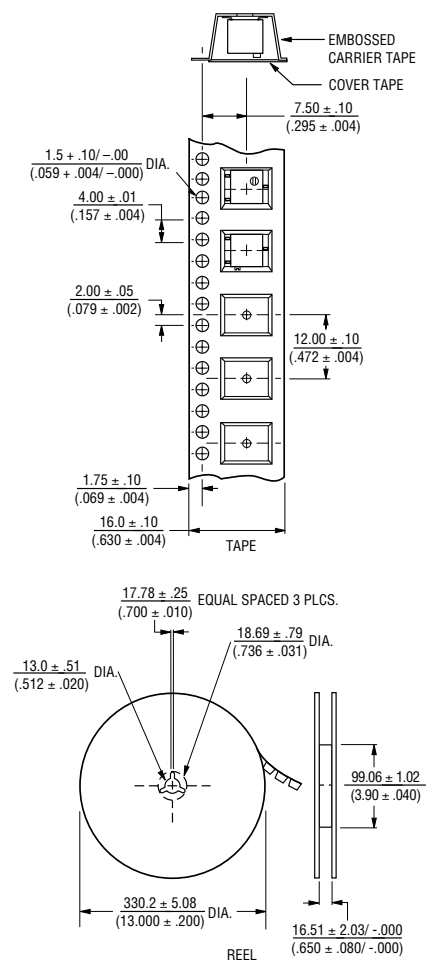
(P Style)



-1 as shown meets EIA Specification 481.  
Units packaged 750 pieces per reel.

## Packaging Specifications

(W & X Styles)



-2 as shown meets EIA Specification 481.  
Units packaged 500 pieces per reel.